



# Control Products Inc.

## Switches for Turf Equipment

CPI manufactures high-endurance waterproof and thermal switches plus indestructible hydraulic position sensors for one purpose – to bring precision, efficiency, reliability and safety to your equipment, in the most demanding applications.



### Lever-actuated Limit Switches

E1 Series

Limit Switches\*

E1161 bracket (top)

E1294 bracket (bottom)

E1 Series

Limit Switches\*

E1264 bracket (top)

E1134 bracket (bottom)



### Ball and Plunger Switches

Ball actuator Series\*\*

J4311 / J4312 (top)

J4001 / J4002 (bottom)

Plunger actuator Series

J4414



### Waterproof Limit Switches

CPI's limit switches have a proven track record on commercial turf equipment, where "splashproof" or "weatherproof" switches do not survive. Reliable operation under exposure to full washdown, oil, salt, spray, sand/mud slurry, vibration, shock, temps from -53°C to 105°C



Part No.:E1092-506

### Applications

- Mower deck-up interlock (J4)
- Mower deck leveling (E1)
- High-speed interlock (E1)
- Neutral Safety (J4, E1)
- Operator presence / seat switch (E1)
- PTO "on-off" position sensing (E1)

\* E1 limit switches are assemblies of E1 Series brackets and B Series momentary switches.

\*\* J4 Series come in plated steel, brass, and stainless steel version.

### Specifications

#### Electrical rating:

E1s: (28VDC/120VAC): 5 amps resistive, 3 amps inductive. Higher ratings available on special order.  
UL recognized for 120VAC/5 amp resistive rating upon request.

J4s: 28VDC, 5 amps inductive

#### Endurance:

100,00 to 5 million cycles (depending on configuration)

#### Operating temperature range:

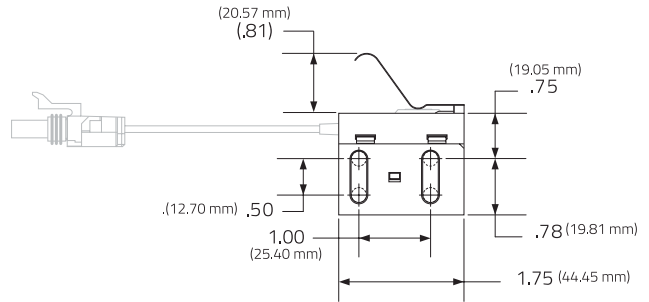
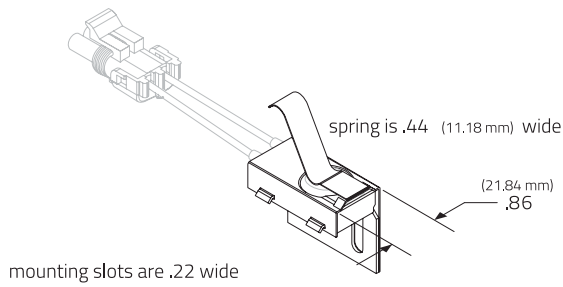
-45°C to 105°C, depending on item; (J4 Series: -45°C to 150°C)

#### Environmental resistance:

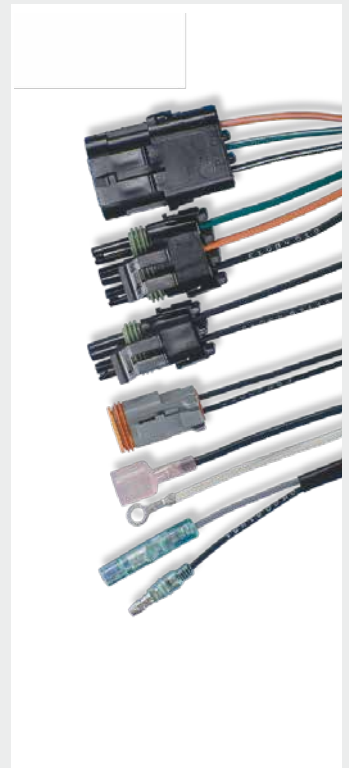
Excellent resistance to both high and low temperatures, acids, alkalis, salt spray, sand, dust and fungus.

### General Product Dimensions

**E1092** angle mount limit bracket with simulated roller actuator  
 (shown as example - please visit [www.cpi-nj.com](http://www.cpi-nj.com) for other mounting/actuator configurations)



E1112 = opposite angle



### Wire Terminations, Connectors and Wire Coverings

Along with CPI's offering of standard wire and cable leads, we also have available special terminations to meet your specifications. Variations include special color-coded wire, BUNA-N, coil cords, and alternative wire gauges. Connectors, wire markers, and sleeving may also be specified, creating a complete switch/harness assembly.

The main advantage is that you will receive a complete assembly from CPI rather than a third-party harness house. In addition, you will receive the highest quality possible, as CPI is your most qualified source when it comes to integrating terminations with our sealed switches.



Netherlands  
Head office

Van Dalenlaan 398  
2082 VR Santpoort-Zuid

T +31-(0)23-5384644  
ask@ippbv.com

Please check [www.ippbv.com](http://www.ippbv.com) for further information or contact details.