

# Control Products Inc.

## Waterproof Limit Switches for Floor-Care Applications



CPI manufactures high-endurance waterproof and thermal switches plus indestructible hydraulic position sensors for one purpose – to bring precision, efficiency, reliability and safety to your equipment, in the most demanding applications.



### Truly Waterproof Limit Switches

CPI's limit switches have a proven track record on commercial floor care equipment, typically mounted on the bottom of the machine where no other components will survive.

Reliable operation under exposure to wet conditions, dust, vibration, and shock.

- All stainless steel actuators & brackets
- Sealed to IP68
- UL Listed
- Sealed connectors/terminals available

### Specifications

#### Electrical rating:

E1s: (28VDC / 120VAC): 5 amps resistive, 3 amps inductive.

Higher ratings available on special order. UL recognized for 120VAC, 5 amp resistive rating upon request.

#### Endurance:

100,000 to 5 million cycles (depending on configuration)

#### Operating temperature range:

-45°C to 105°C

#### Environmental resistance:

Excellent resistance to both high and low temperatures, acids, alkalis, salt spray, sand, dust, fungus, and cleaning chemicals.

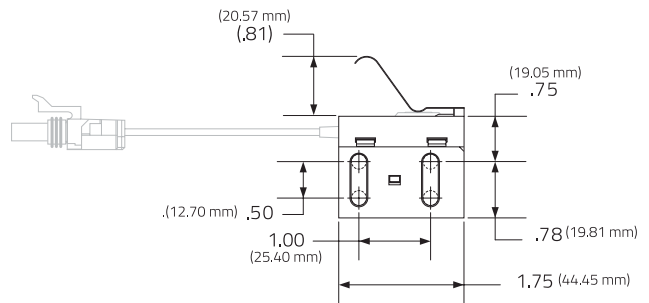
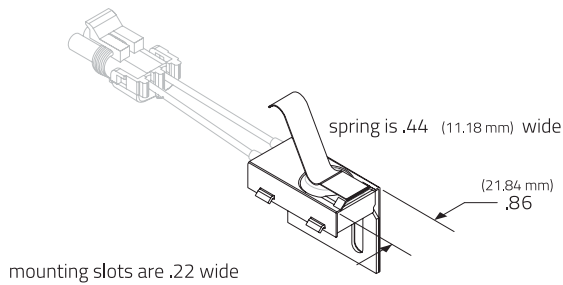
### Applications

- Hopper up/down detection
- Squeegee up/down detection
- Battery tray in/out position detection
- Battery charge cable position detection

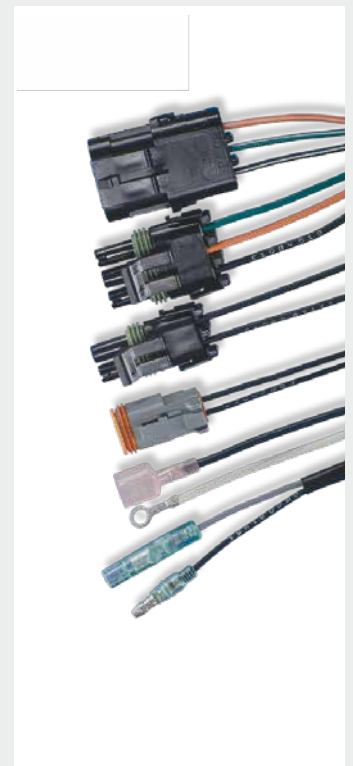
### General Product Dimensions

**E1092** angle mount limit bracket with simulated roller actuator

(shown as example - please visit [www.cpi-nj.com](http://www.cpi-nj.com) for other mounting/actuator configurations)



E1112 = opposite angle



### Wire Terminations, Connectors and Wire Coverings

Along with CPI's offering of standard wire and cable leads, we also have available special terminations to meet your specifications. Variations include special color-coded wire, BUNA-N, coil cords, and alternative wire gauges. Connectors, wire markers, and sleeving may also be specified, creating a complete switch/harness assembly.

The main advantage is that you will receive a complete assembly from CPI rather than a third-party harness house. In addition, you will receive the highest quality possible, as CPI is your most qualified source when it comes to integrating terminations with our sealed switches.



Netherlands  
Head office

Van Dalenlaan 398  
2082 VR Santpoort-Zuid

T +31-(0)23-5384644  
ask@ippbv.com

Please check [www.ippbv.com](http://www.ippbv.com) for further  
information or contact details.